

2V3

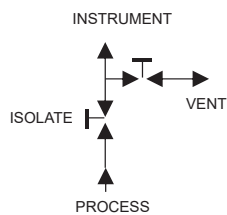
Two valve (3 way) manifolds



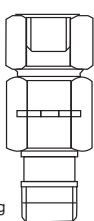
This model combines an isolation, calibration, test and venting of instruments in a single block. By incorporating all these functions, considerable material and installation cost saving will be made. The manifold designed for use with pressure transmitters, pressure gauges, pressure switches and similar pressure measurement equipment

Technical Specifications

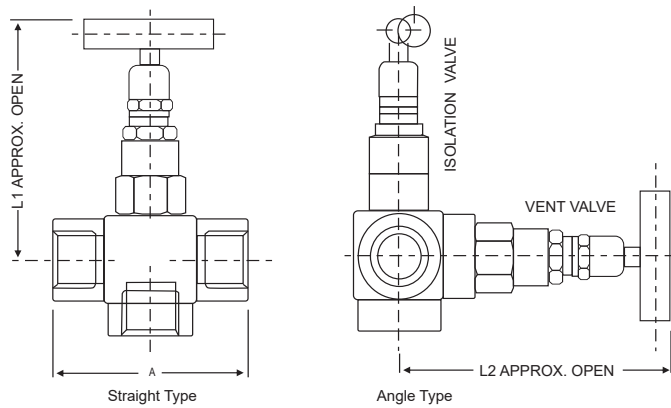
Design Pressure	: 6000 PSI
Max temp.	: 240°C
Material	: Stainless Steel
Stem	: (Type CT) Conical tip
Gland Packing	: PTFE
Stem packing area	: Burnished finish for Smooth valve operation.
Safety Feature	: Back seating for preventing stem blowout.



OPTIONAL ITEM



Three Piece Union for Gauge Positioning



Process Port	Drain Port		A	L1	L2
1/2" NPT(F)	1/2" NPT(F)	1/4" NPT(F)	70	98	110
1/2" NPT (F)	1/2" NPT (F)	1/2" NPT (F)	70	98	110
3/4" NPT (F)	3/4" NPT (F)	3/4" NPT (F)	70	98	110
1/2" BSP (F)	1/2" BSP (F)	1/2" BSP (F)	70	98	110

Notes : • Drawings are not to scale. • All Dimensions are in mm .

How To Order

Body Material	Stem Packing	Size = P x P1	Connections (inlet x outlet)	Drain Port	Threads
C = Carbon Steel	P = PTFE	24 = 1/4" x 1/4"	FF = Female x Female	D4 : 1/4" NPT	N = NPT (ANSI B 1.20.1)
S = SS 316	G = Grafoil	33 = 3/8" x 3/8"	MF = Male x Female	D8 : 1/2"NPT	P = BSPP (BS 2779, ISO 228/1)
S4 = SS 304		44 = 1/2" x 1/2"	MM = Male x Male	D12 : 3/4" NPT	B = BSPT (BS 21, ISO 7/1)
SL = SS 316L		66 = 3/4" x 3/4"	SW = Socket Weld		
M4 = Monel 400					
M5 = Monel 500					
H = Hastelloy C					
B = Brass					

Options

GH	:	Material test certificate
GO	:	Hydro test certificate
TF	:	Compliance to NACE standard
3PC	:	Three piece Union for Gauge positioning

Type 1. (Straight) -

Process inline with gauge and drain/vent at right angle

Type 2 (Angle) -

Gauge inline with drain/vent and process at right angle

* Material test certificate will be provided for wetted parts only with chemical composition testing. For others, please consult factory.

Example

To place an order simply refer to the codes in the table.

Valve Type	:	Body Material	+	Stem Packing	+	Size	Connections	+	Drain Port	+	Threads	+	Options
2V3	:	S	+	P	+	44	FF	+	D8	+	N	=	2V3 . S . P . 44 . FF . N . Options

Note : Specifications and dimensions given in this product catalogue represents the state of engineering at the time of printing .
 Modifications may take place and materials specified may be replaced by others without prior notice.